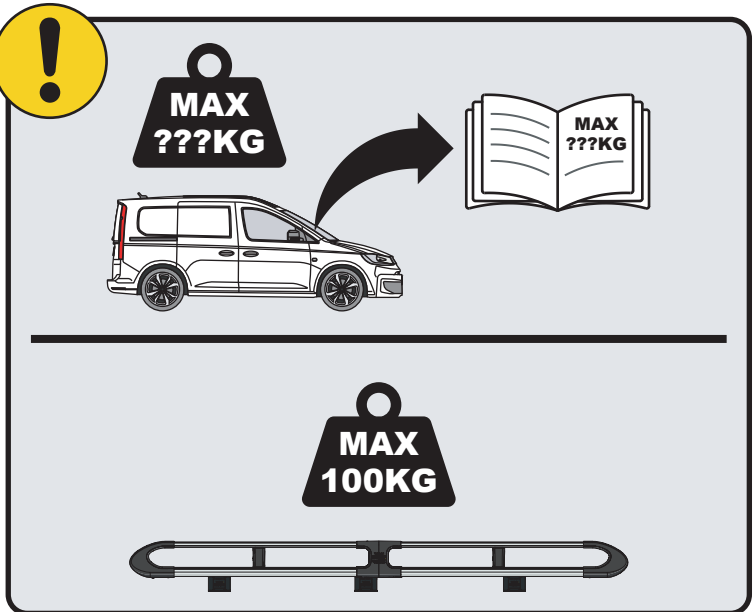
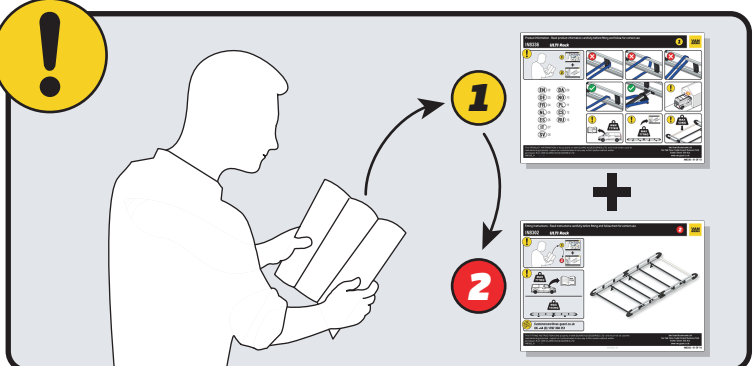


IN8366

ULTI Rack+



 Customercare@van-guard.co.uk
UK +44 (0) 1392 368 351



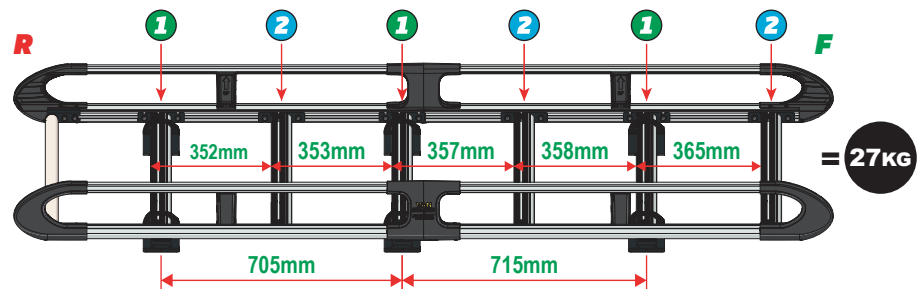
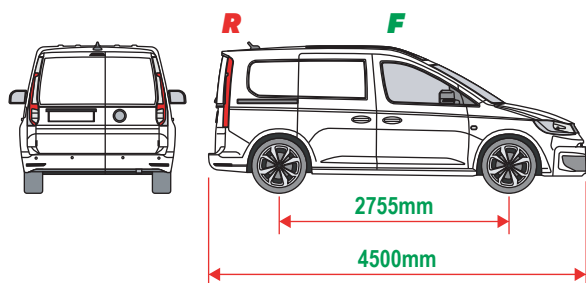
This FITTING INSTRUCTION is the property of VAN GUARD ACCESSORIES LTD. and must not be used for manufacturing purposes, copied nor communicated in any way to third parties without written permission from VAN GUARD ACCESSORIES LTD.
IN8366_A (CN:NR)

Van Guard Accessories Ltd
Fair Oak Close, Exeter Airport Business Park,
Exeter, Devon, EX5 2UL
www.van-guard.co.uk

THIS INSTRUCTION COVERS THE FOLLOWING MODELS - CHECK YOU ARE FITTING THE CORRECT MODEL BEFORE PROCEEDING

VGUR-287

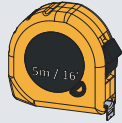
Volkswagen Caddy 5: 2021 on
Ford Transit Connect 2024 on
L1H1
Twin Rear Doors



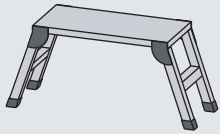
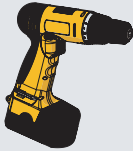
SUPPLIED COMPONENTS - CHECK ALL PARTS ARE PRESENT AND CORRECT BEFORE PROCEEDING (1 OF 2)

TOOLS REQUIRED

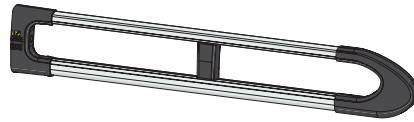
10MM X1



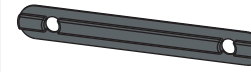
13MM X1



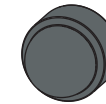
AS3533 X2
(2200 / A)



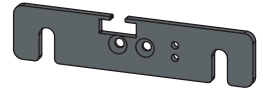
MA6118 X12



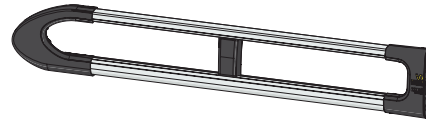
FX4241 X28



ME1622 X3



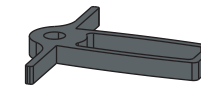
AS3532 X2
(2200 / B)



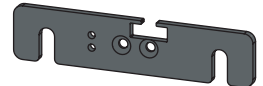
FX4008 X1



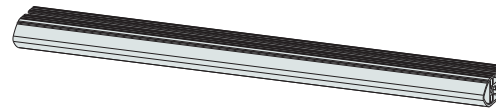
MA6145 X1



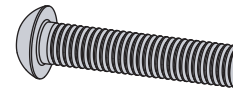
ME1623 X3



ME1626 X6
(1264mm)



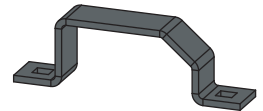
FX4001 X2
(M8X40)



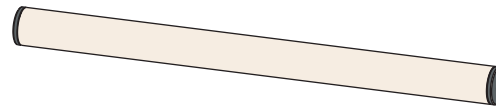
FX4235 X24
(M5X25)



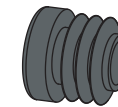
ME0203 X6



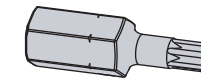
AS3158 X1
(1250mm)



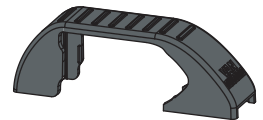
MA6007 X4



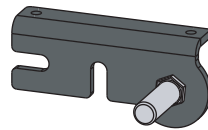
FX4248 X1
(T25)



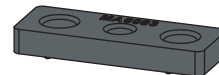
MA6065 X6



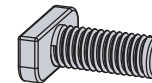
AS3590 X1



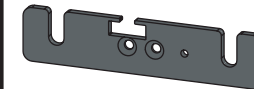
MA6093 X12



FX4239 X28
(M8X20)



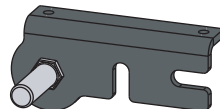
ME1620 X3



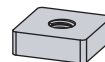
FX4016 X12
(M6)



AS3591 X1



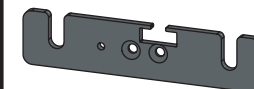
ME0316 X12



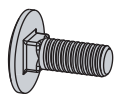
FX4240 X28
(M8)



ME1621 X3

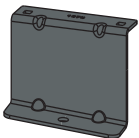


FX4042 X12
(M6X16)



SUPPLIED COMPONENTS - CHECK ALL PARTS ARE PRESENT AND CORRECT BEFORE PROCEEDING (2 OF 2)

ME1678 X1

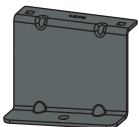


FX4019 X6

(M8)

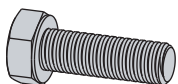


ME1679 X1

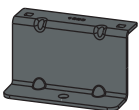


FX4028 X6

(M8X25)

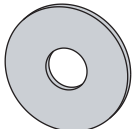


ME1680 X2

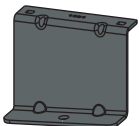


FX4040 X6

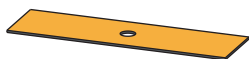
(M8)



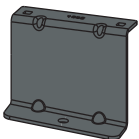
ME1681 X1



MA6018 X6



ME1682 X1



FX4014 X6



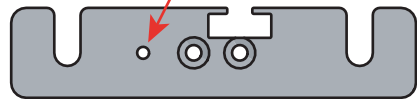
01

1L



X3

1R



X3



2L



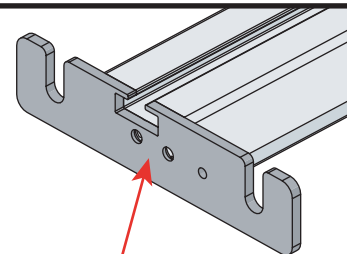
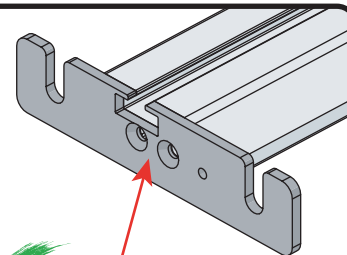
X3

2R



X3

02



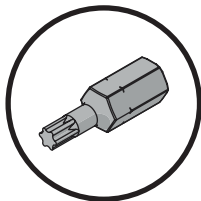
03

01

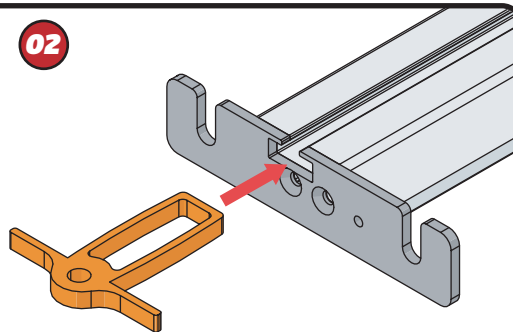
FX4248



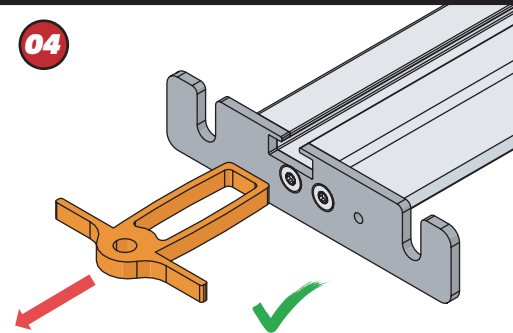
+



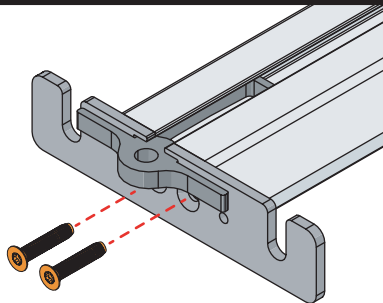
02



04



03

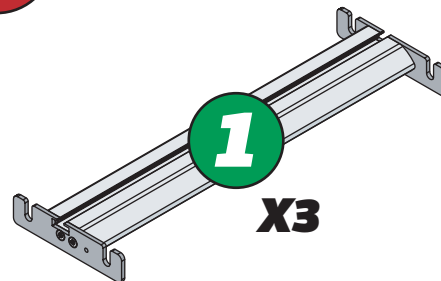


11Nm

04

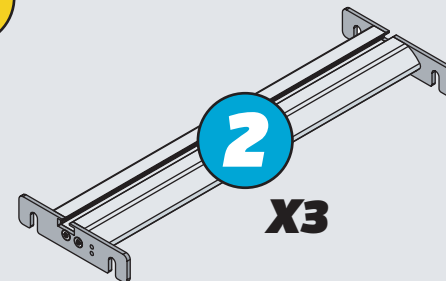


1

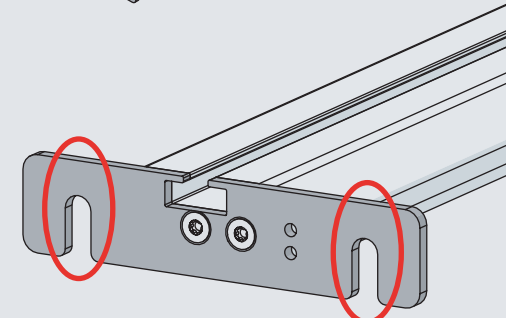
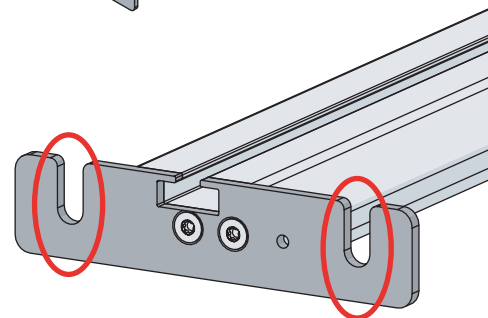


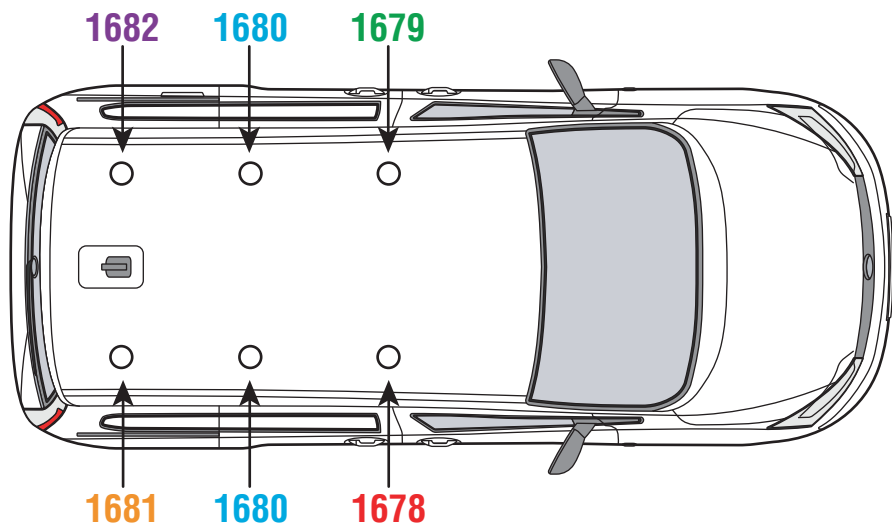
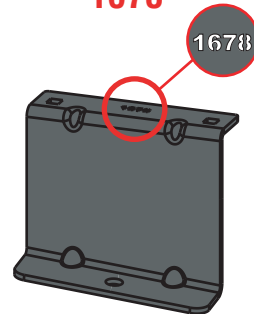
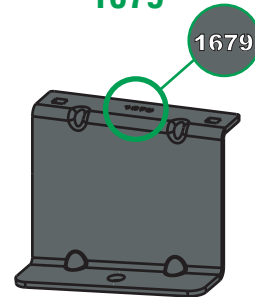
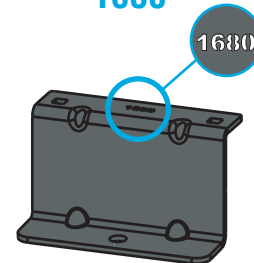
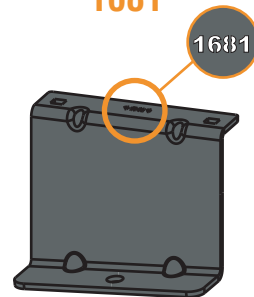
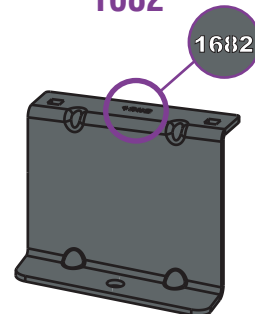
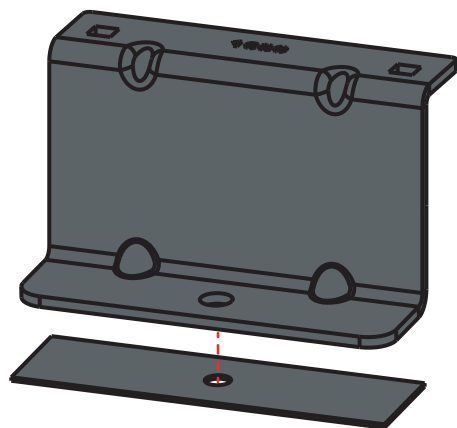
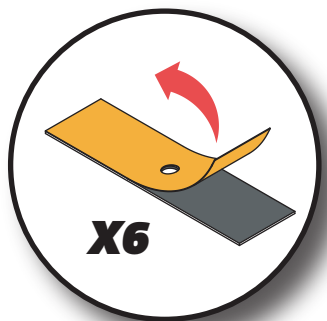
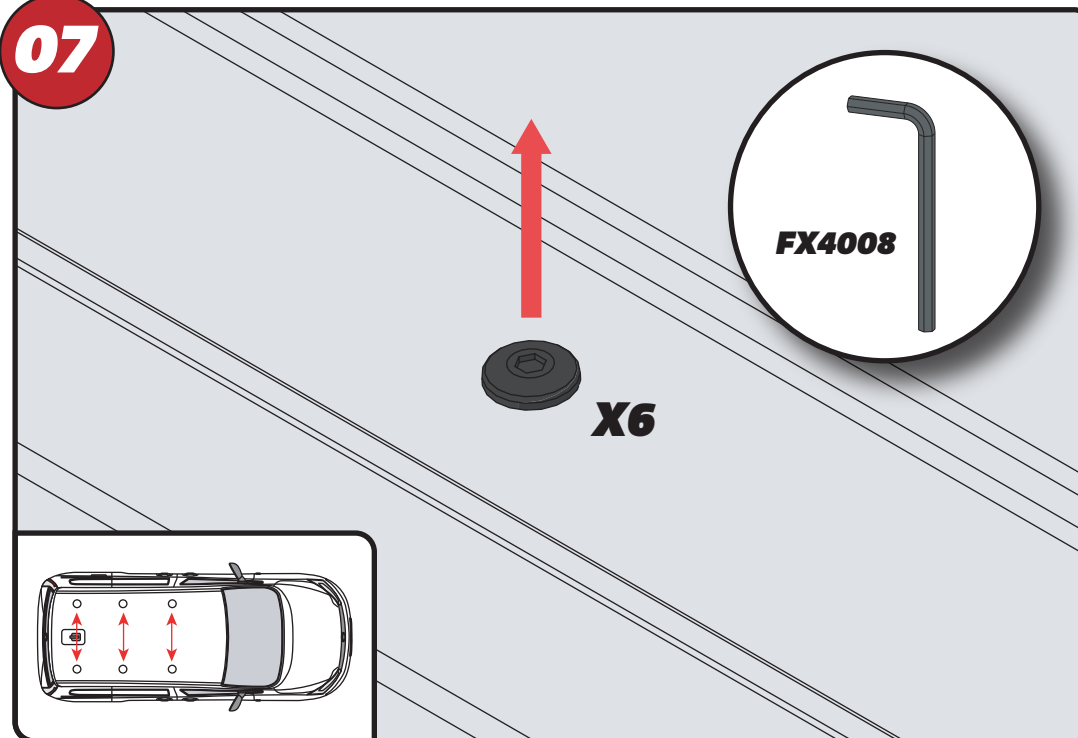
X3

2



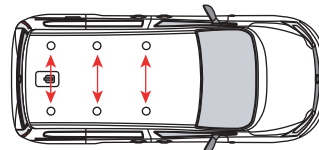
X3

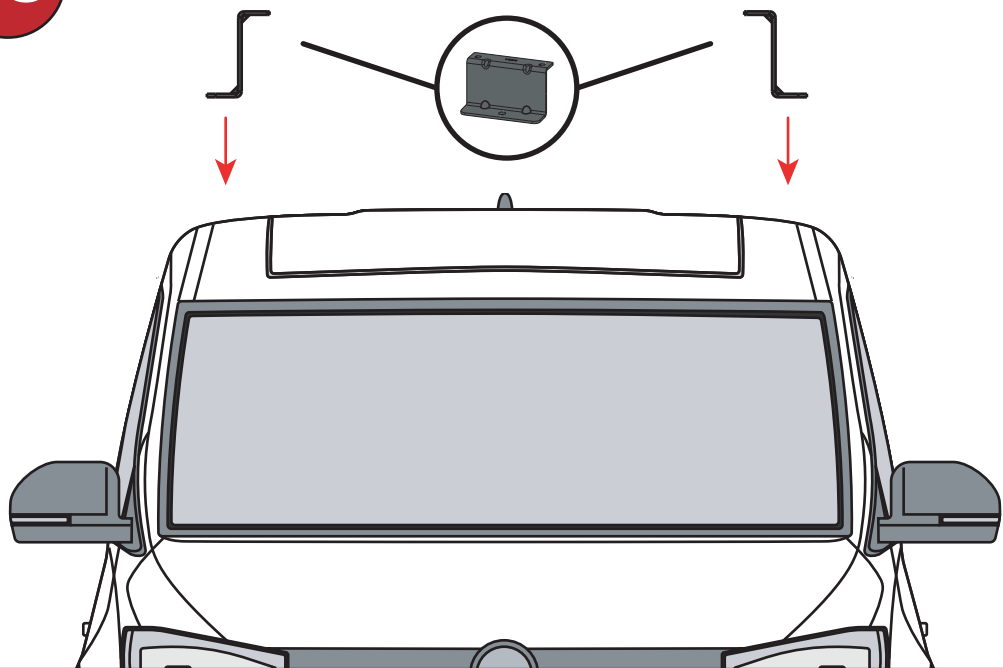
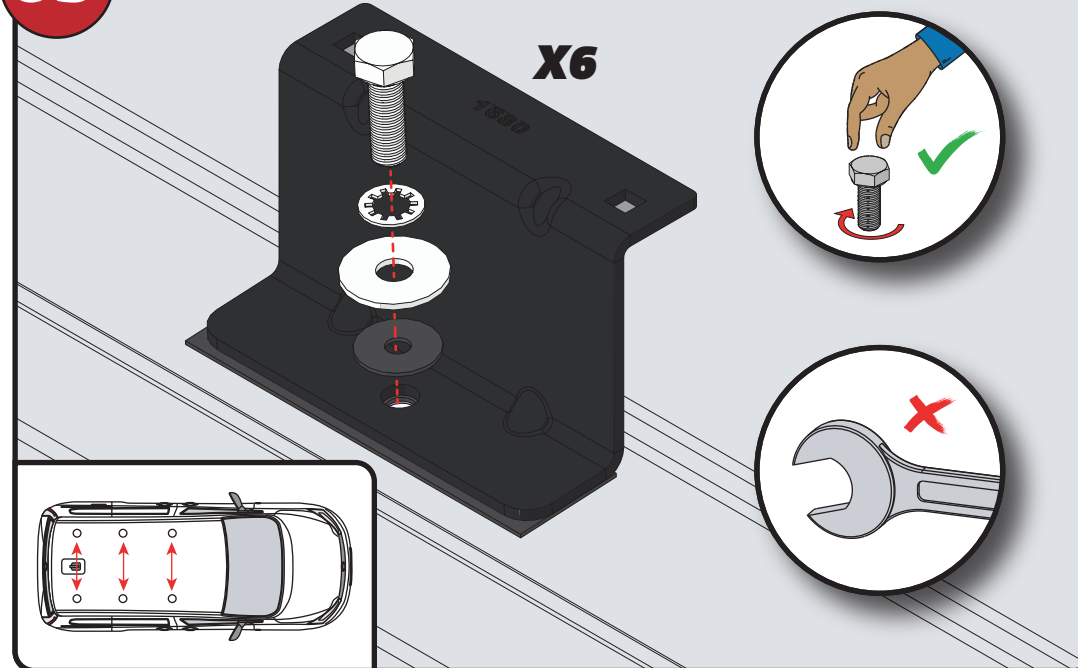
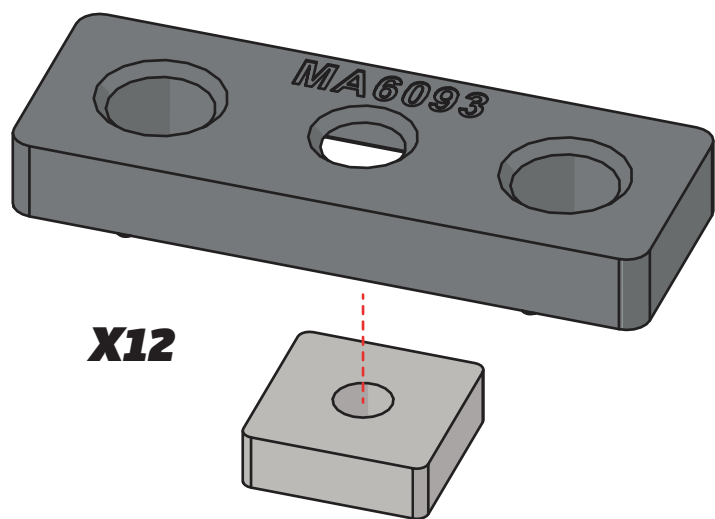
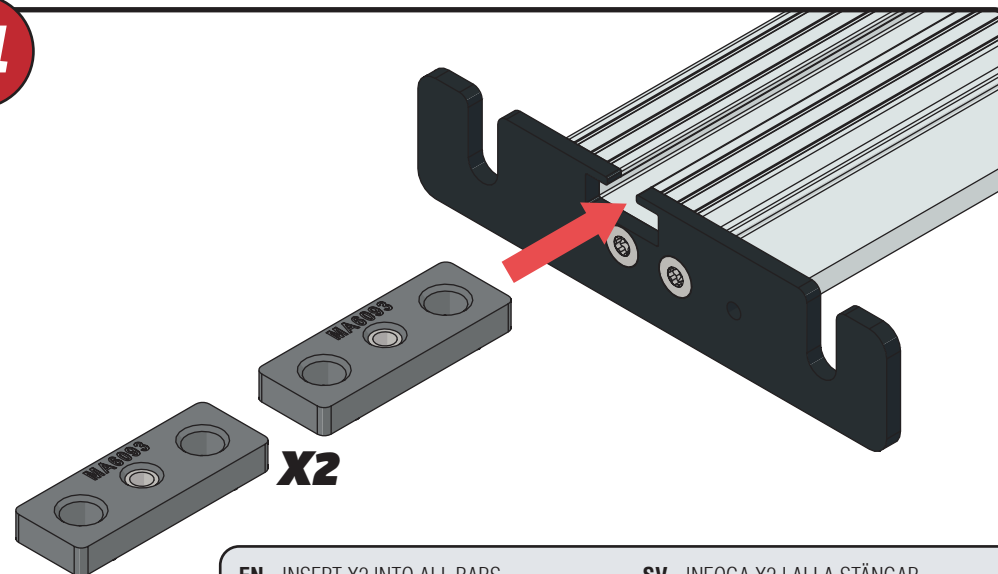


05**1678****1679****1680****1681****1682****06****07**

EN - STICK GASKETS TO ALL BRACKETS
 DE - KLEBEN SIE DIE DICHTUNG AN ALLEN HALTERUNGEN
 FR - COUSSINETS ADHÉSIFS À TOUS LES SUPPORTS
 NL - PLAK PAKKING OP ALLE BEUGELS
 ES - PEGA LAS ALMOHADILLAS A TODOS LOS SOPORTES
 IT - ADESIVI GUARNIZIONI A TUTTE LE STAFFE

SV - FÄST GUMMI PÅ ALLA FÄSTEN
 DA - KLÆB GUMMI PÅ ALLE BESLAG
 NO - PLIST GUMMI PÅ ALLE BRAKKETTER
 PL - NAKLEJ USZCZELKI DO WSZYSTKICH WSPORNIKÓW
 CS - PŘILEPTE TĚSNĚNÍ NA VŠECHNY DRŽÁKY

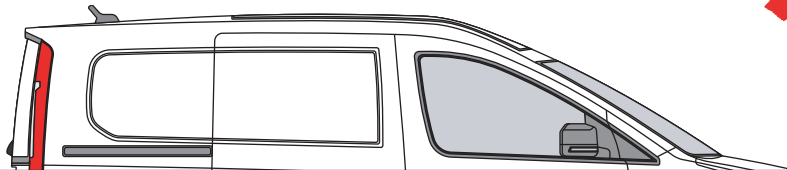
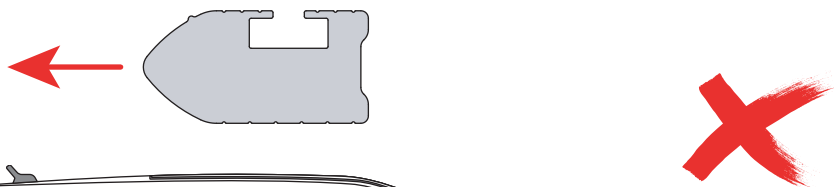
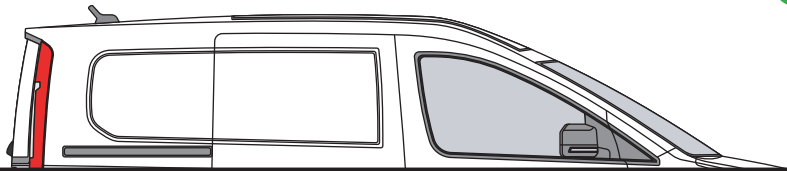
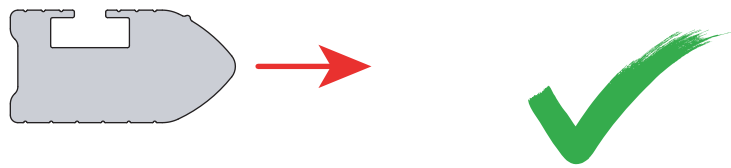


08**09****10****11**

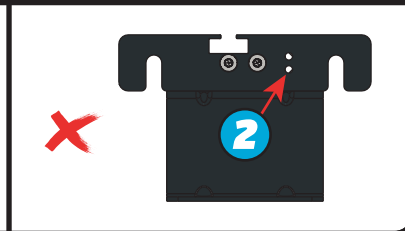
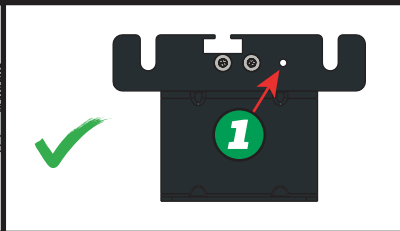
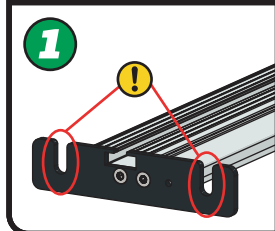
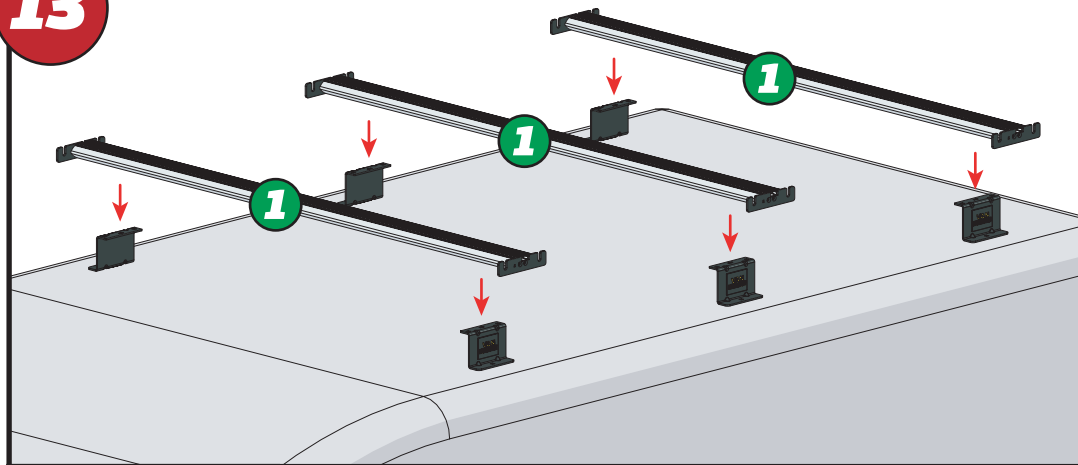
EN - INSERT X2 INTO ALL BARS
 DE - X2 IN ALLE STANGEN EINFÜGEN
 FR - INSÉRER X2 DANS TOUTES LES BARRES
 NL - PLAATS X2 IN ALLE BARS
 ES - INSERTAR X2 EN TODAS LAS BARRAS
 IT - INSERIRE X2 IN TUTTE LE BARRE

SV - INFOGA X2 I ALLA STÄNGAR
 DA - INDSÆT X2 I ALLE STÆNGER
 NO - SETT X2 INN I ALLE TAKSTENGER
 PL - WSTAW X2 DO WSZYSTKICH PRĘTÓW
 CS - VLOŽTE X2 DO VŠECH TYČÍ

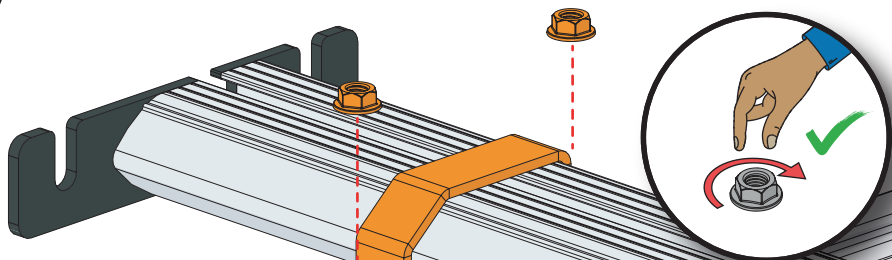
12



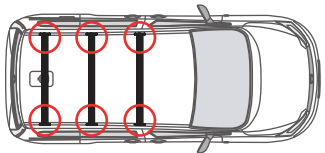
13



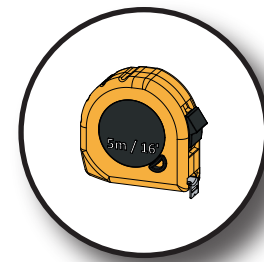
14



X6



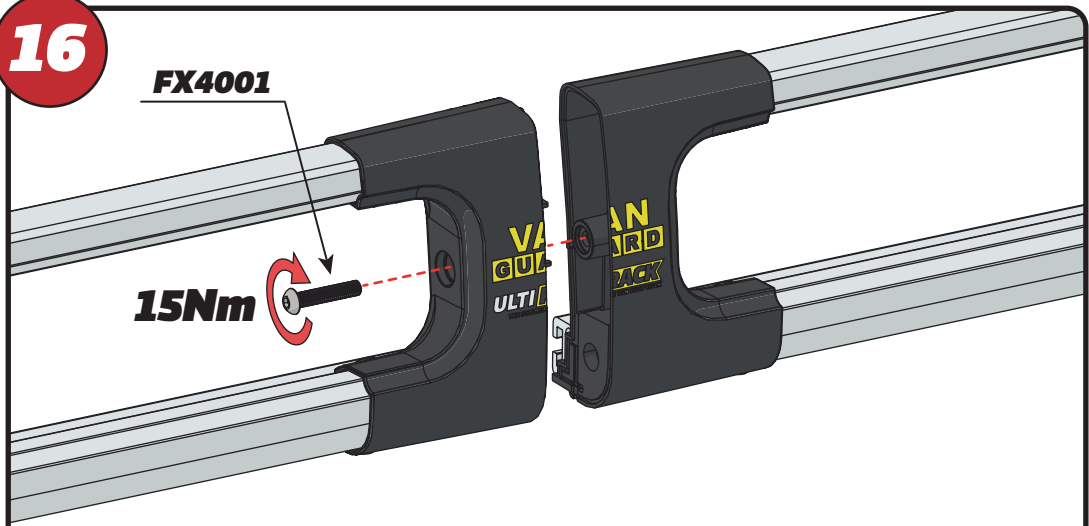
15



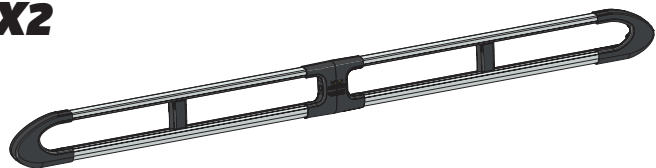
16

FX4001

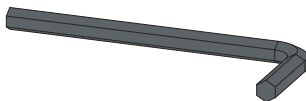
15Nm



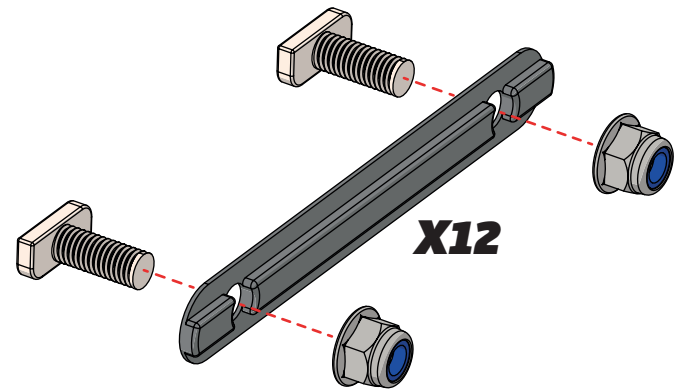
X2



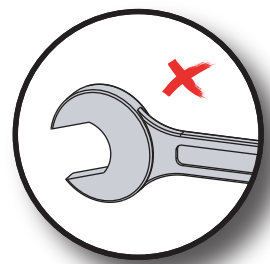
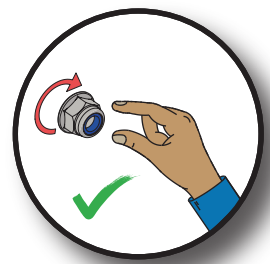
FX4008



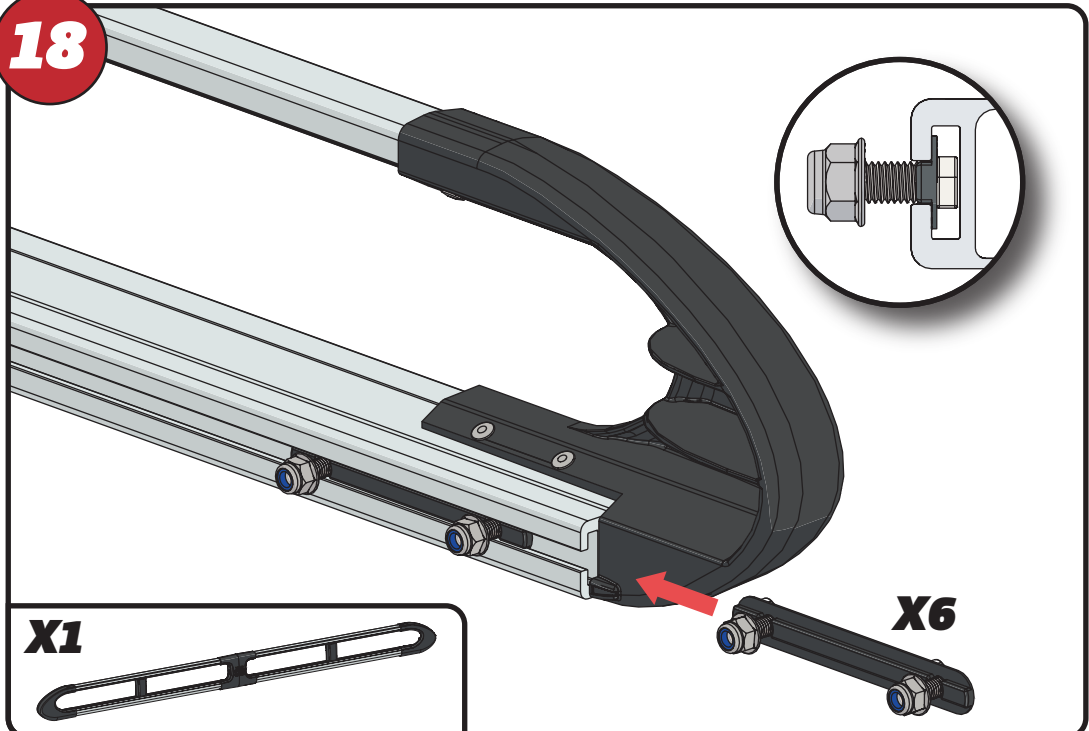
17



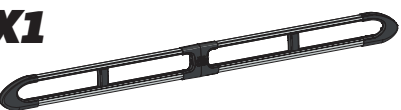
X12



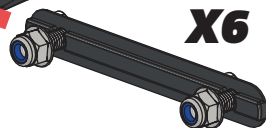
18



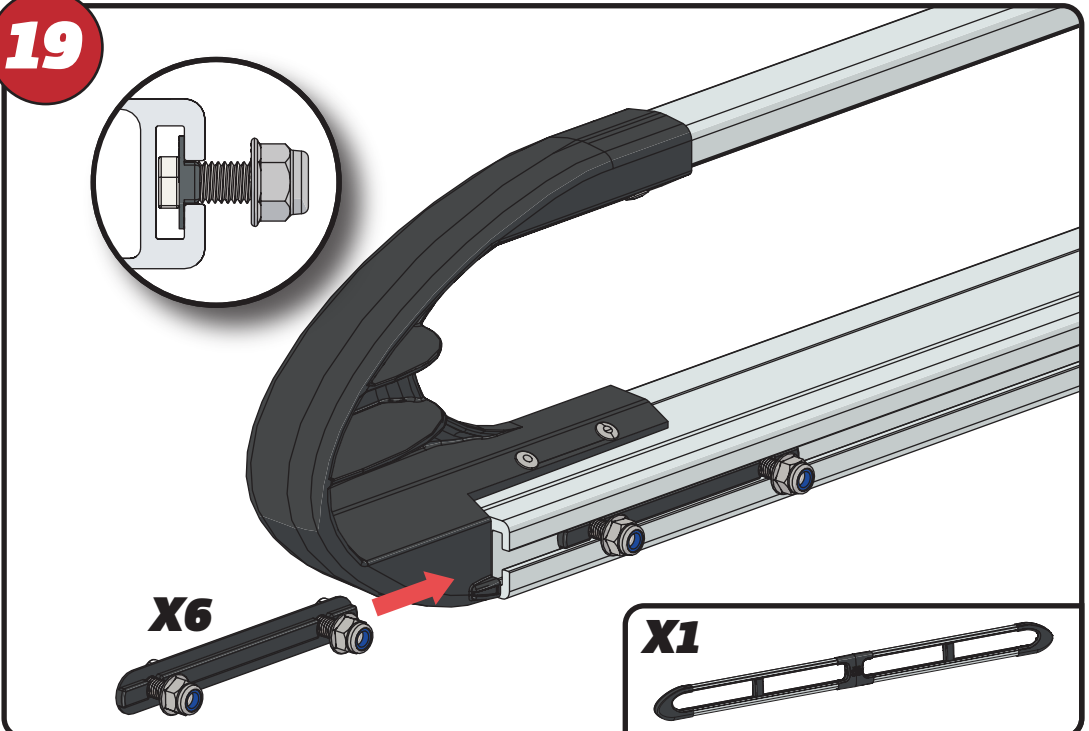
X1



X6



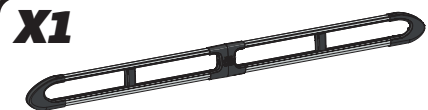
19



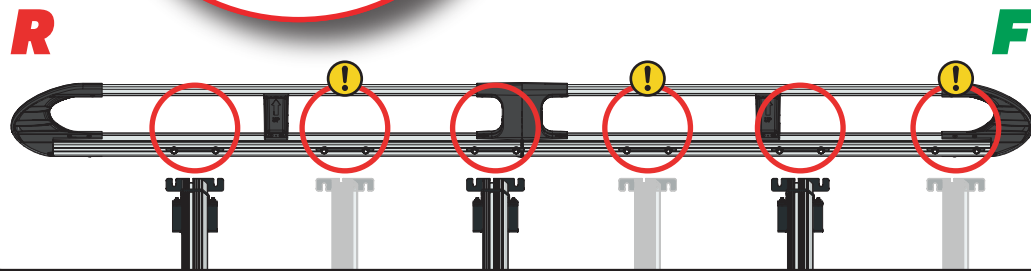
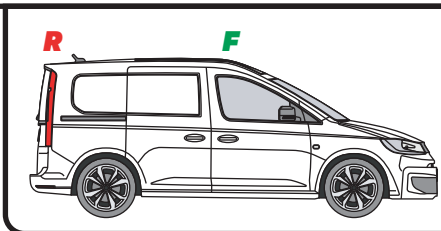
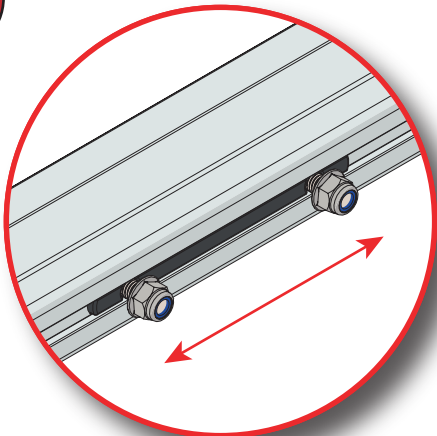
X6



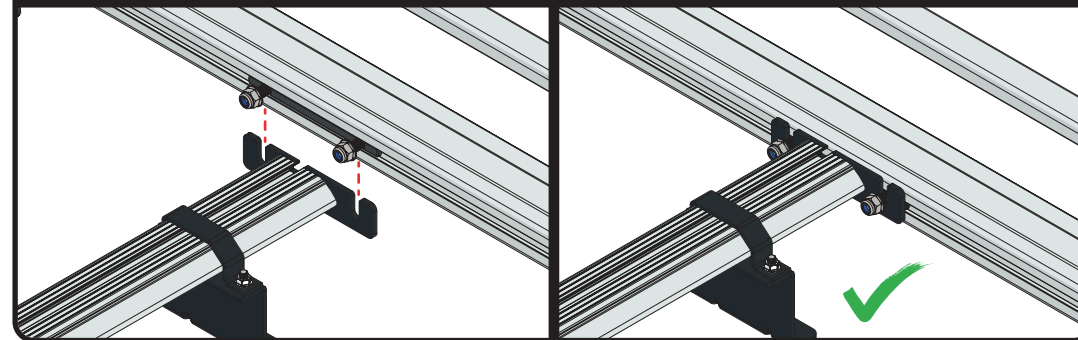
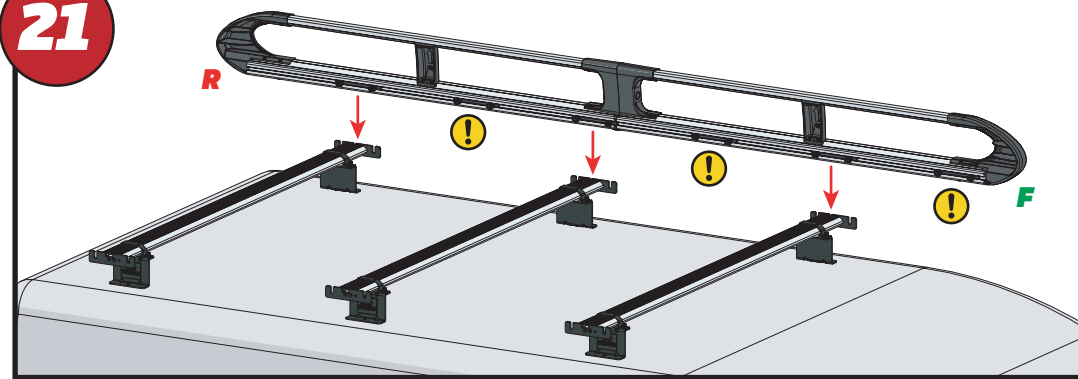
X1



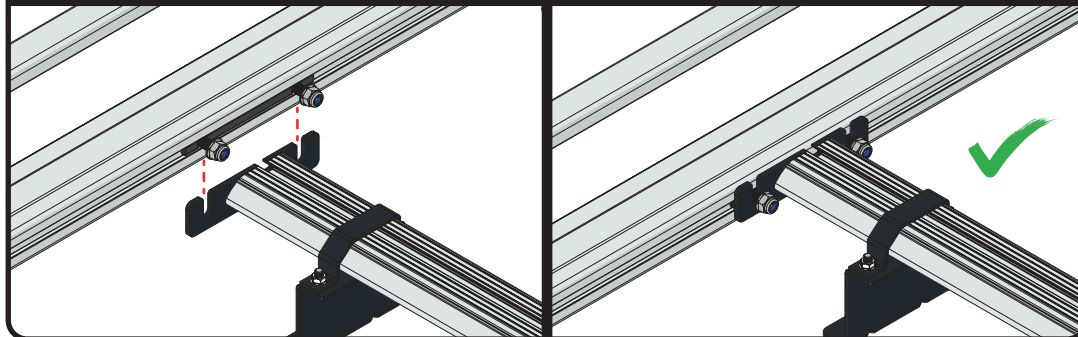
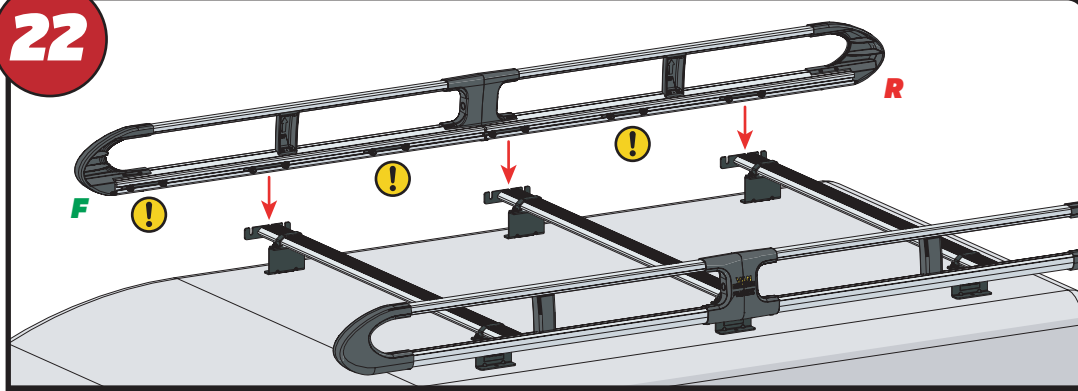
20



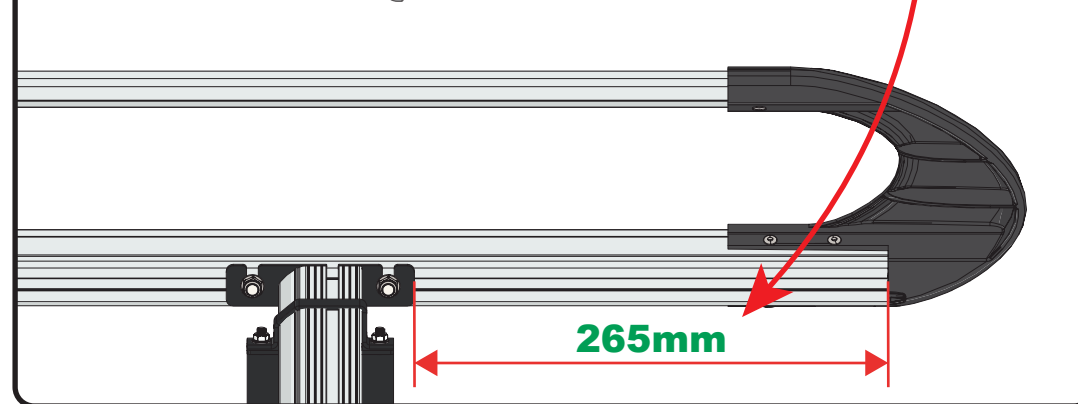
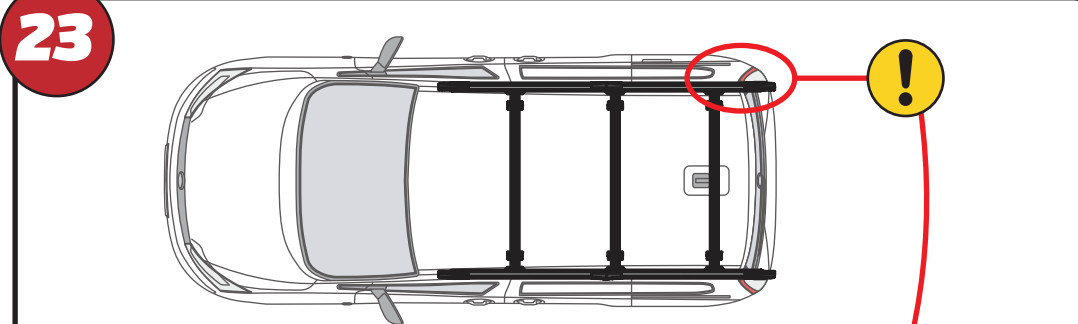
21

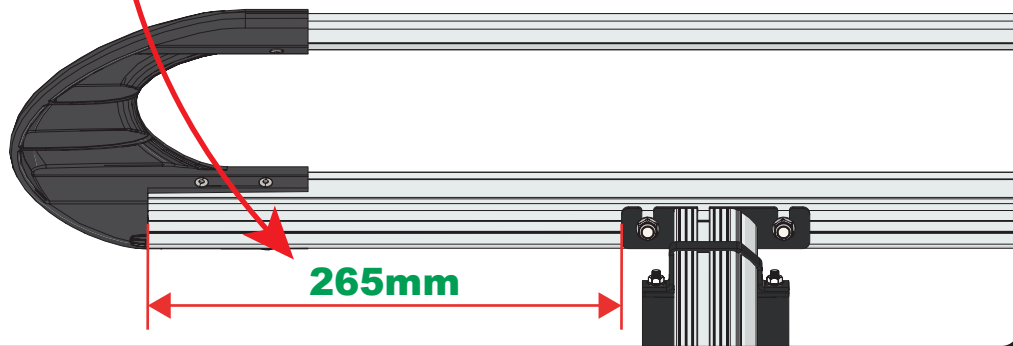
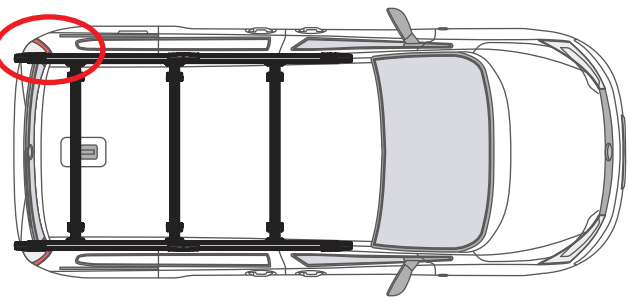
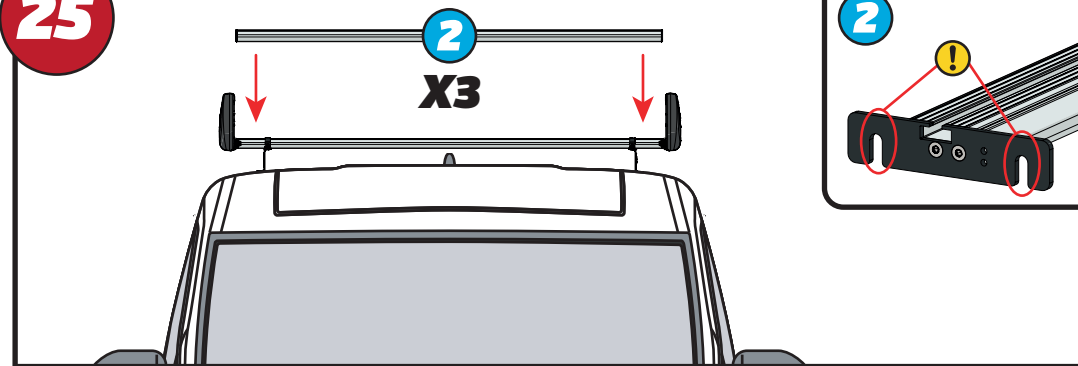
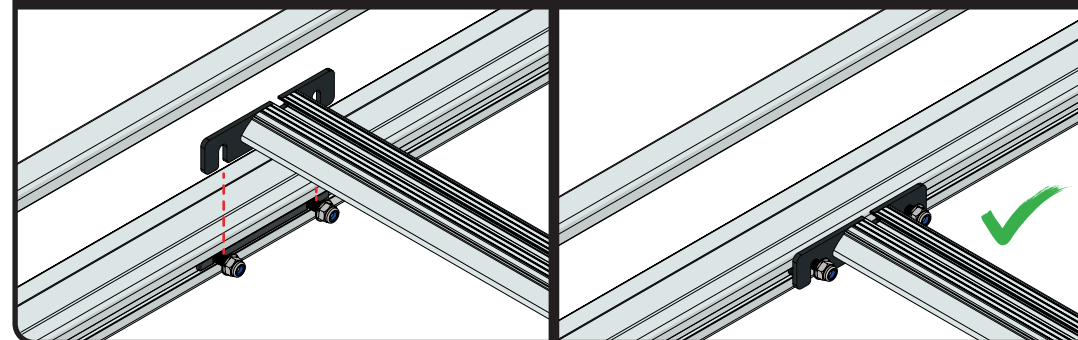
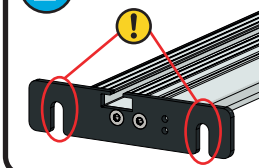
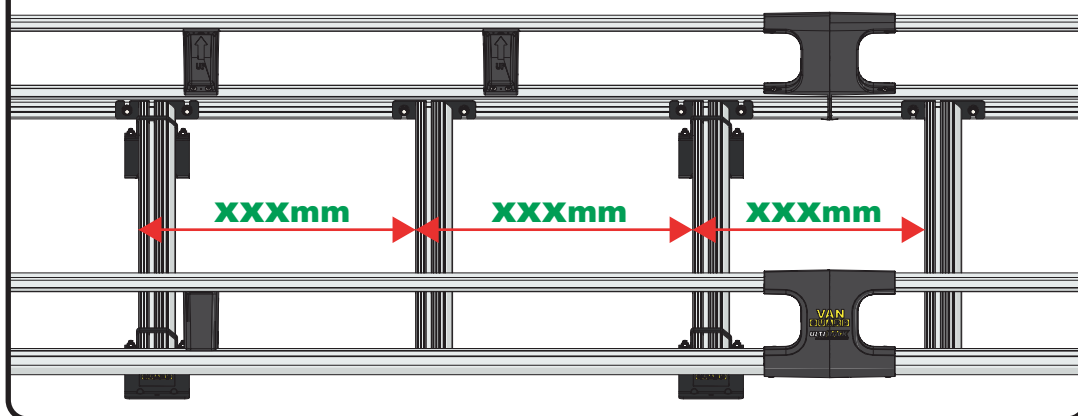
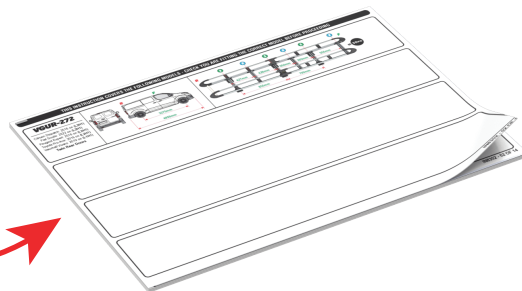
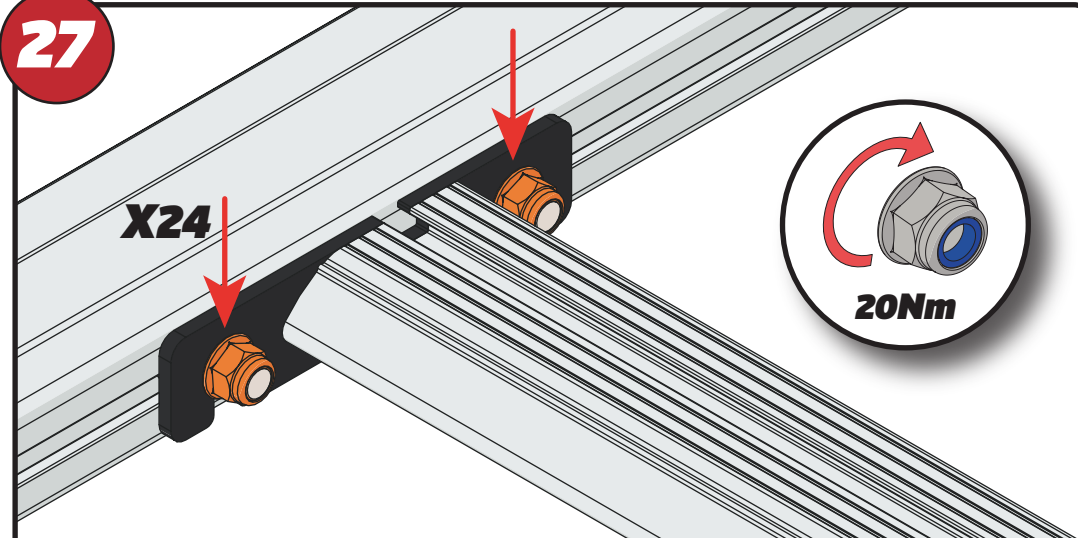


22



23

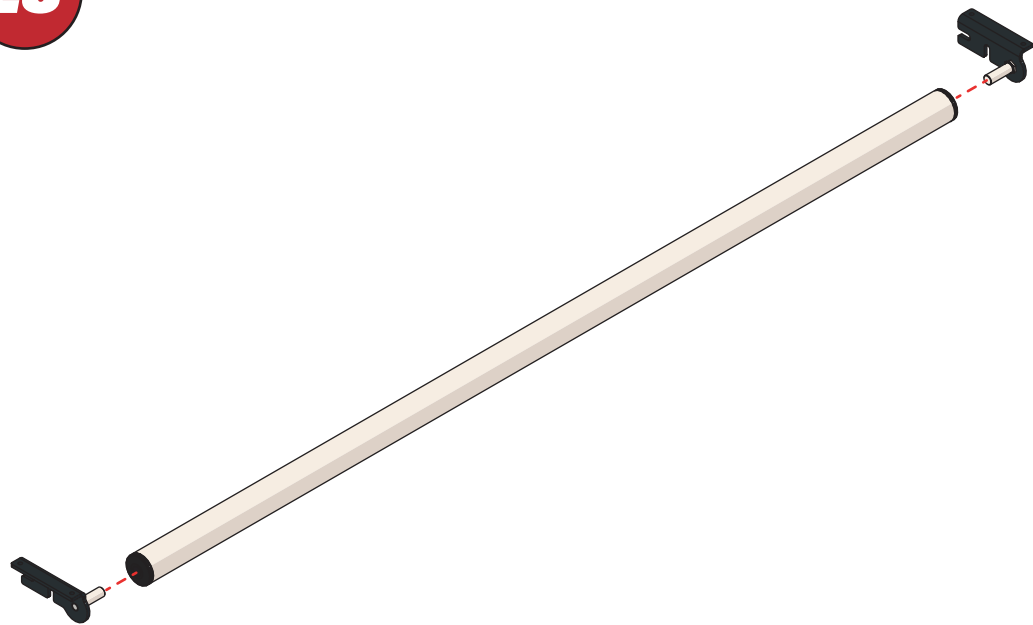


24**25****2****X3****2****26**XXX =
PAGE 2 OF 14**27****X24****20Nm**

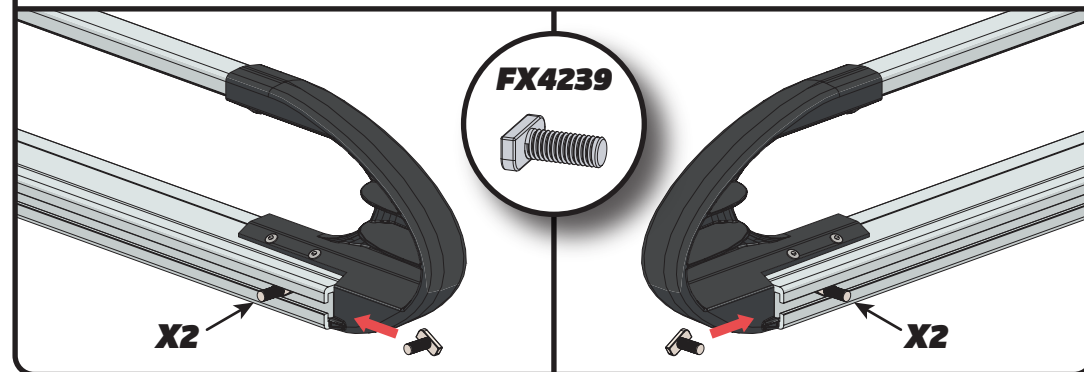
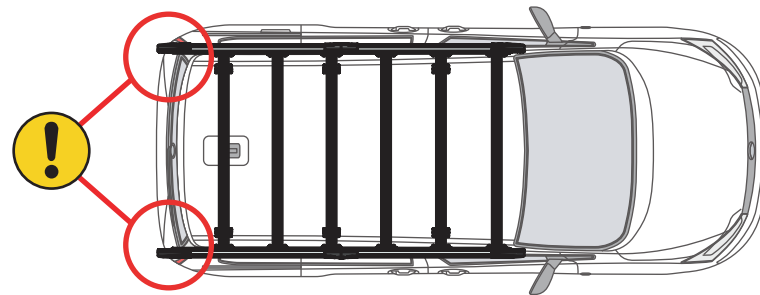
EN - TIGHTEN ALL OF THE CROSS BARS
 DE - ALLE QUERSTANGEN FESTZIEHEN
 FR - SERREZ TOUTES LES BARRES TRANSVERSALES
 NL - DRAAI ALLE DWARSBALK VAN HET DAK AAN
 ES - APRIETE TODAS LAS BARRAS TRANSVERSALES
 IT - STRINGERE TUTTE LE BARRE TRASVERSALI

SV - SKRU UPP ALLA KORSSTANGAR
 DA - SKRU ALLE TAGBØJLER OP
 NO - SKRU OPP ALLE TVERRSTENGER
 PL - DOKRĘCIĆ WSZYSTKIE POPRZECZKI
 CS - VŠECHNY PŘÍČNÉ TYČE SEŠROUJTE

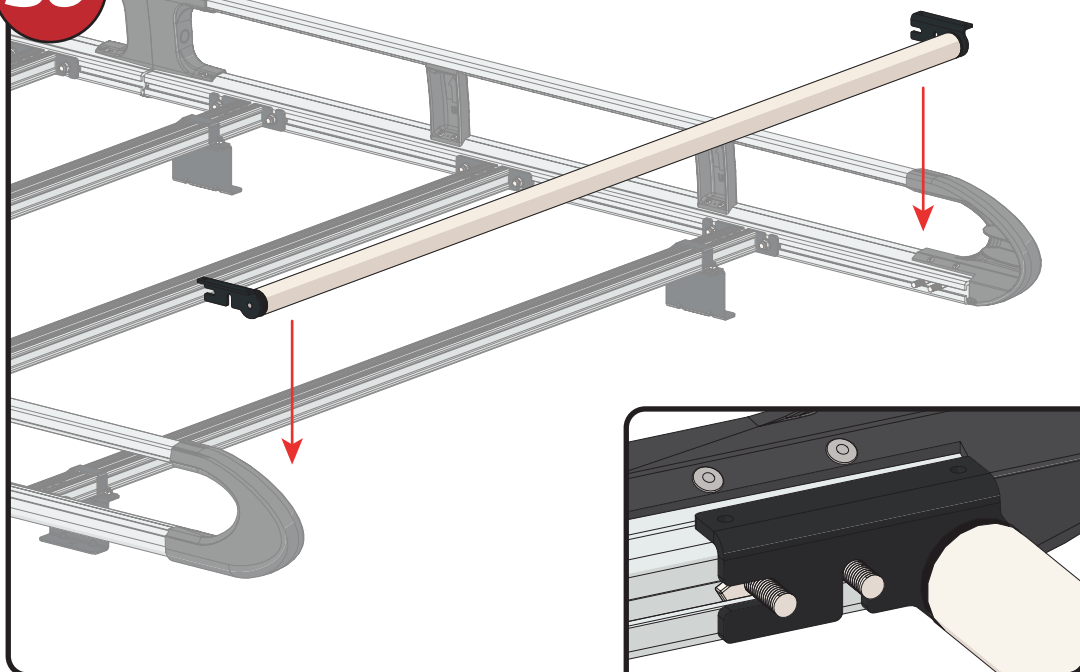
28



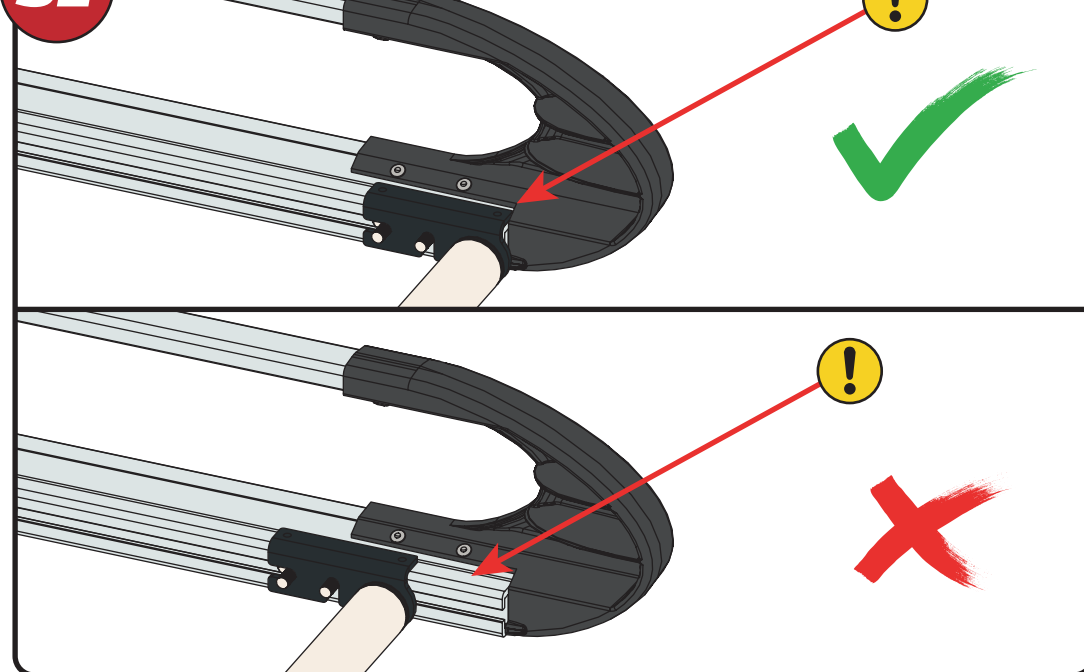
29



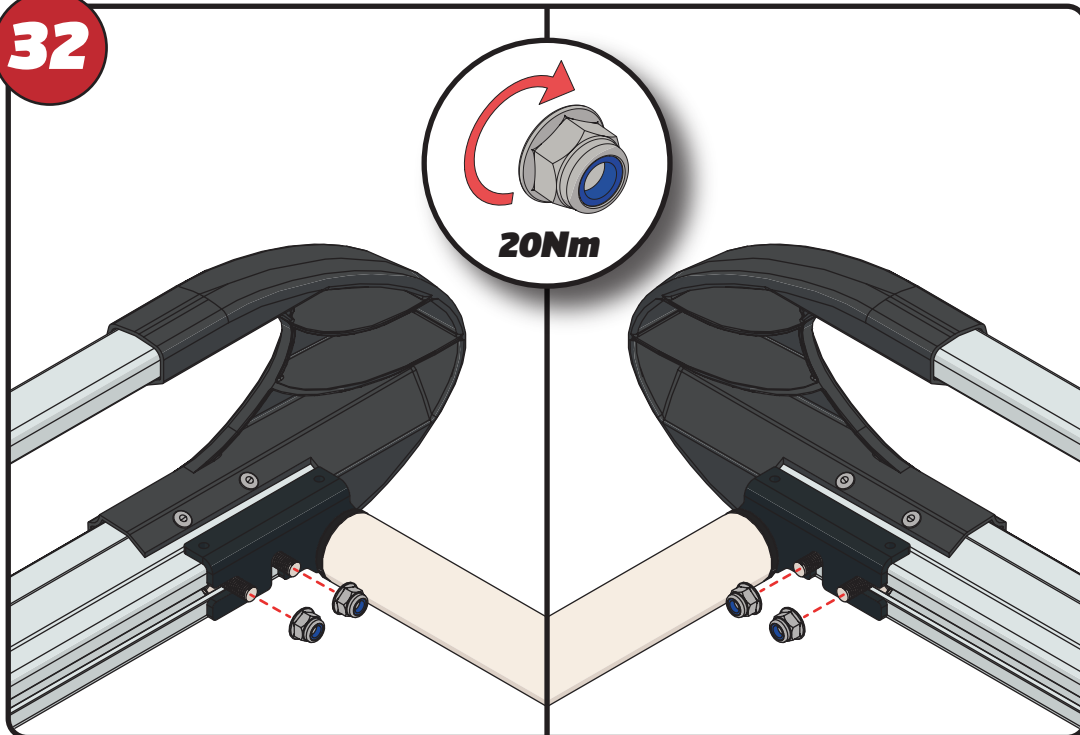
30



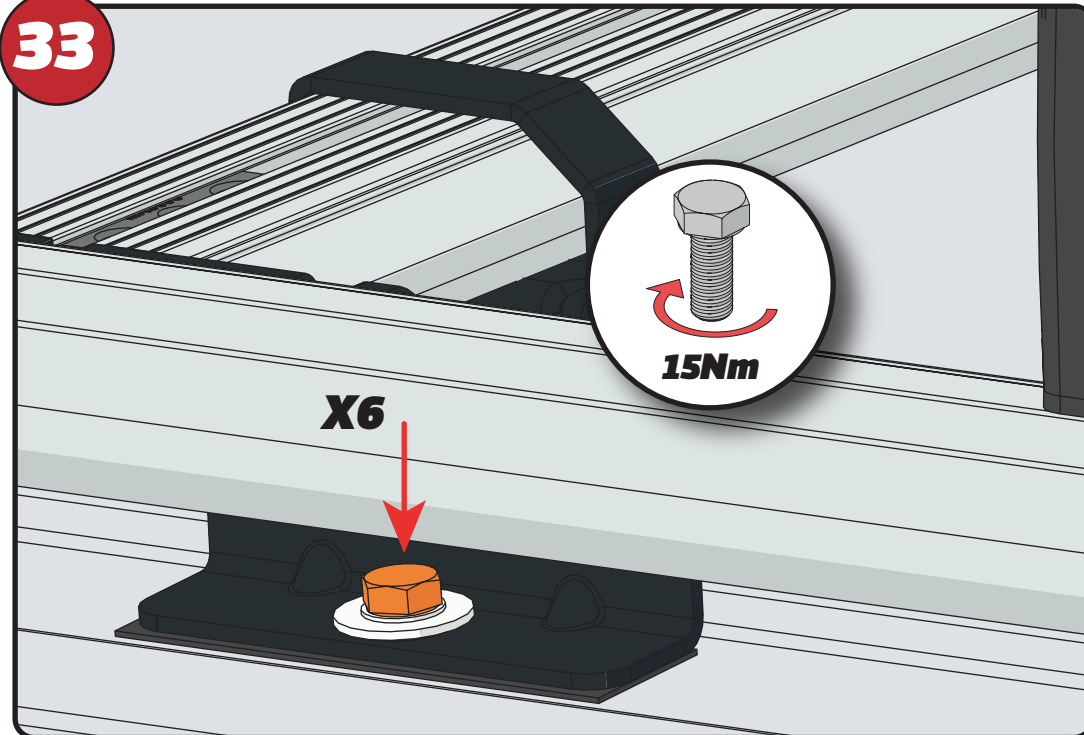
31



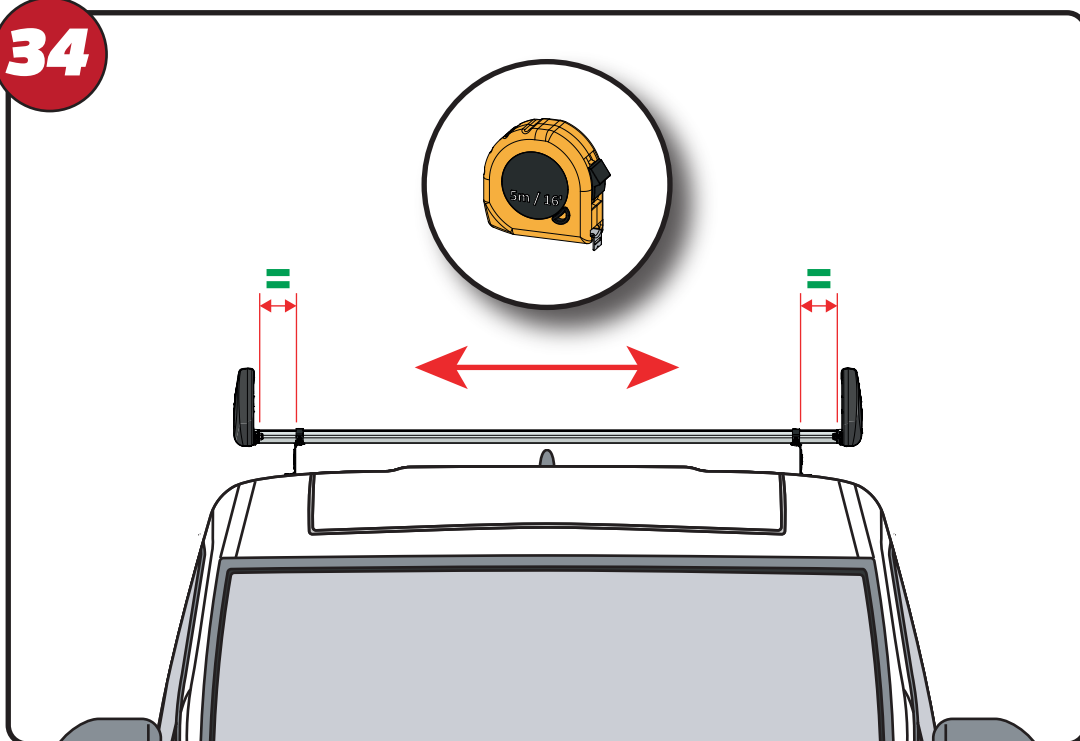
32



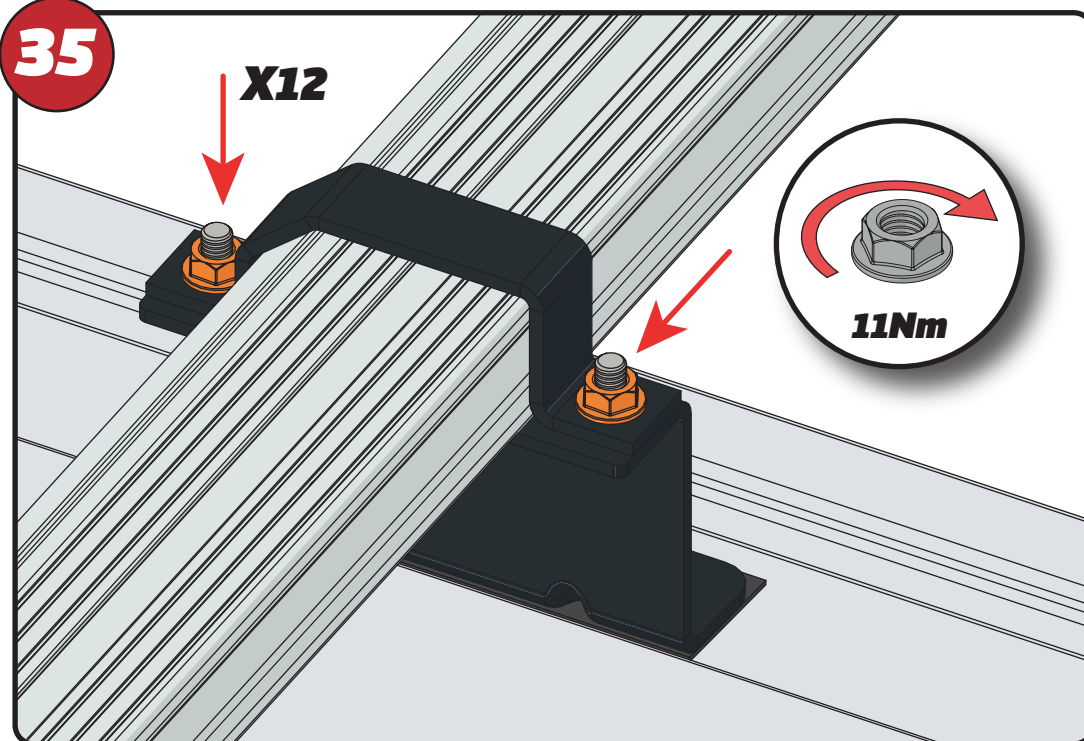
33



34



35

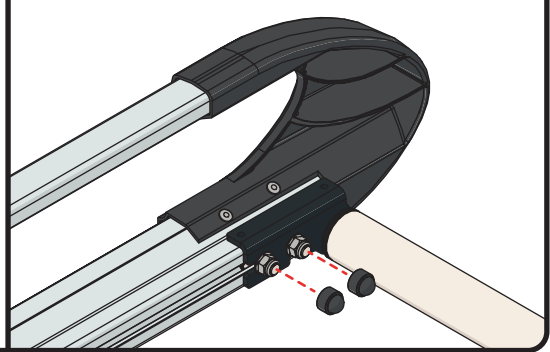
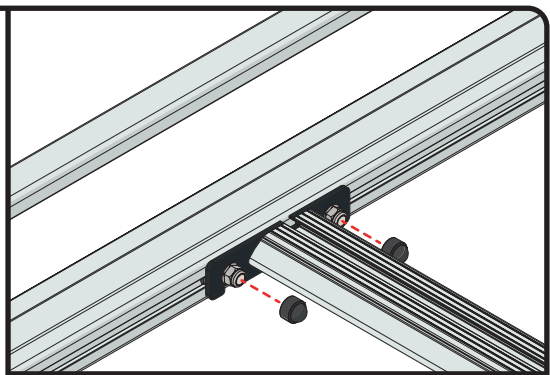


36



FX4241

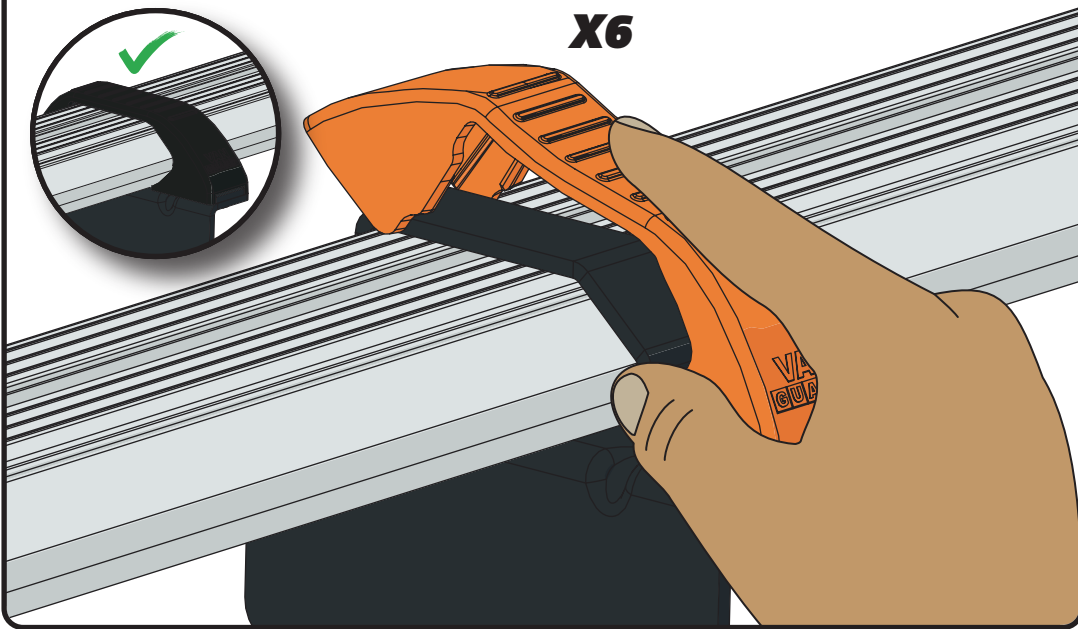
X28



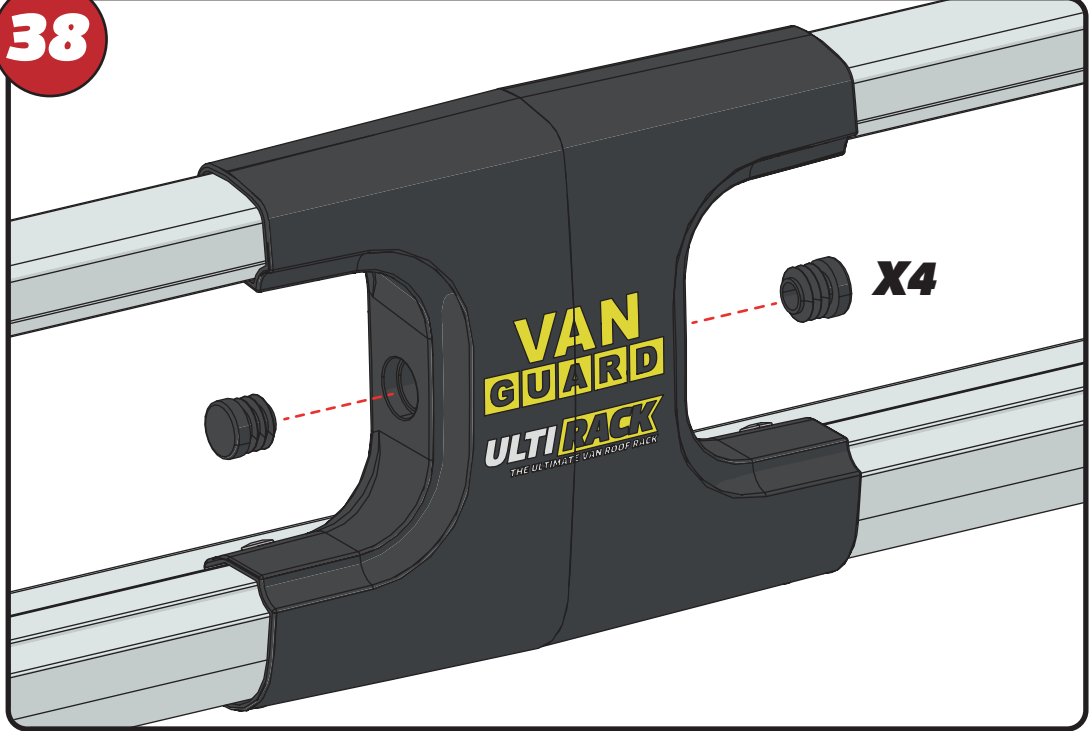
37



X6



38



VAN GUARD
ULTI RACK
THE ULTIMATE VAN ROOF RACK

X4

39

